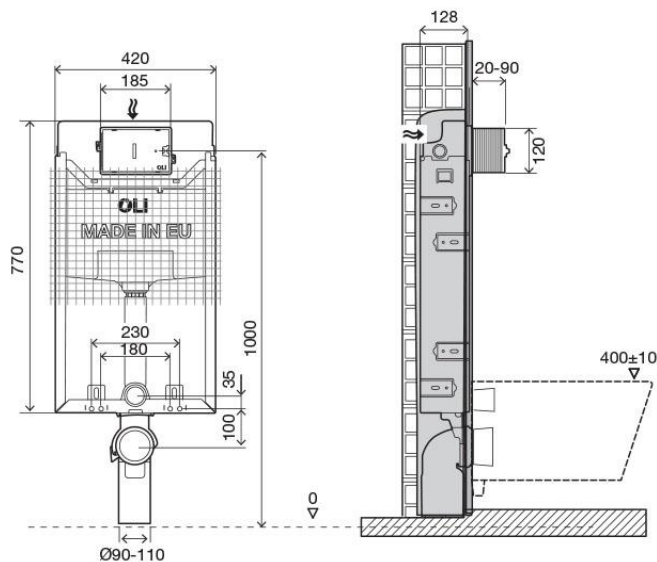


Technical Sheet

OLI120



Product Identification

097946

- OLI120 Mechanic Simflex

Definition and Application

- Pre-assembled structure for setting in masonry walls, to installation of wall-hung sanitary appliances
- Compatible with all wall-hung WC pans

Technical Features

Structure

- Metal, galvanized, corrosion resistant

Cistern

- Dual flush in-wall cistern compatible with either dual or single flush actuators 6/3 litres (adjustable to 4/2 and 7/3)
- 128mm thickness
- Mechanic actuation
- Piston Inlet Valve
- Silent valve Class 1 (NF certified)
- Working pressure from 0,1 to 16 bar
- Resistance to atmospheric humidity (Hr <90%).

- Polypropylene (PP) cistern highly resistant and inalterable to thermal stress
- EN 14055 marking CL1
- Supplied with anti-condensation lining
- Net for easier mortar adhesion

Accessories

- 1 Flush pipe $\varnothing 90 \times 250$
- 1 Seal for flush pipe $\varnothing 125$
- 1 Connecting pipe $\varnothing 45 \times 180$
- 1 Pan rubber seal $\varnothing 45$
- 1 Protective box
- 1 G $\frac{1}{2}$ " stop valve
- 1 Protection sponge for the stop valve
- 1 Flush bend $\varnothing 90 / 90 \text{ L230}$
- 1 Outlet bend and $\varnothing 90/110$ adaptor
- 1 Protection pipe $\varnothing 90$

Fixing accessories for wall structure:

- 4 Galvanized screws M8x60
- 4 Galvanized washers M8 DIN 9021
- 4 Bushing M8

For fixing hung wc on the structure:

- 2 Threaded rods M12
- 2 Protection for threaded rod
- 2 Protection cover
- 2 Toilet centring washer
- 2 Nuts M12
- 2 Washers $\varnothing 34$

Warranty

- Ten (10) years warranty according to the general selling terms, starting from the purchase date of the product.
- If the product is not correctly installed the warranty is not valid.

Observations

- There are available similar products. For more information please consult our Sanitary Installation Systems catalogue or our site www.oli-world.com