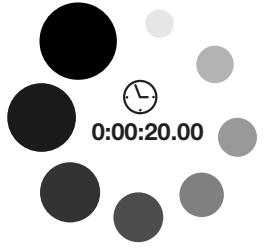
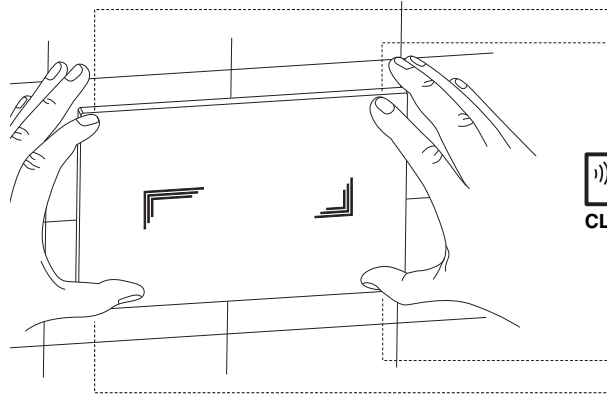
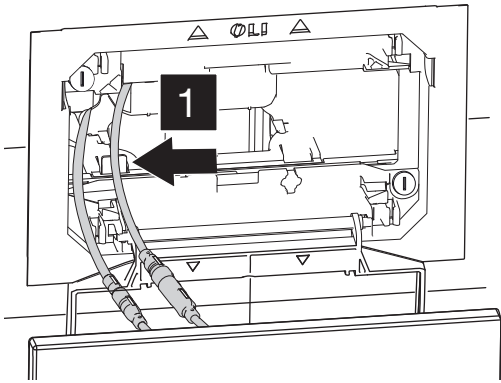
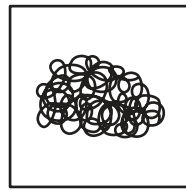
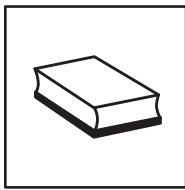
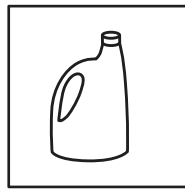
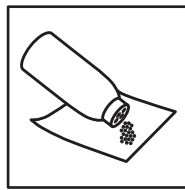
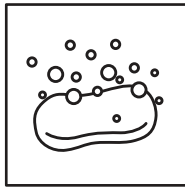
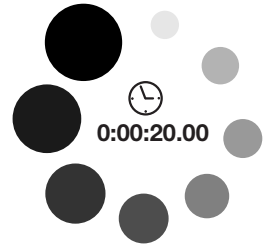
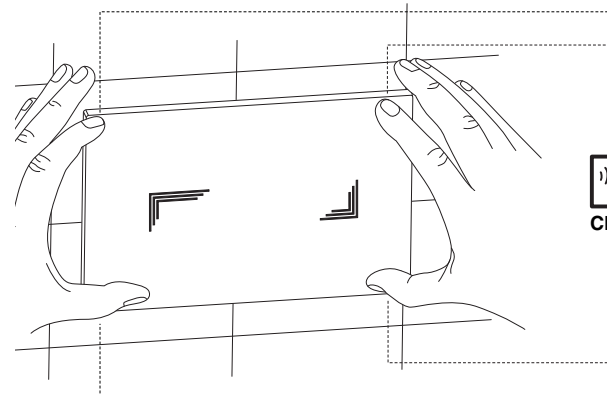
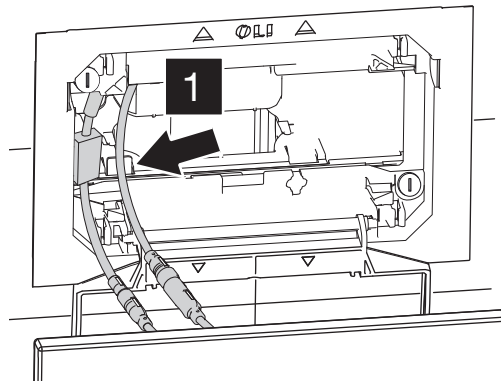


16



16.1



 Hydroboost

AC power-mains 



