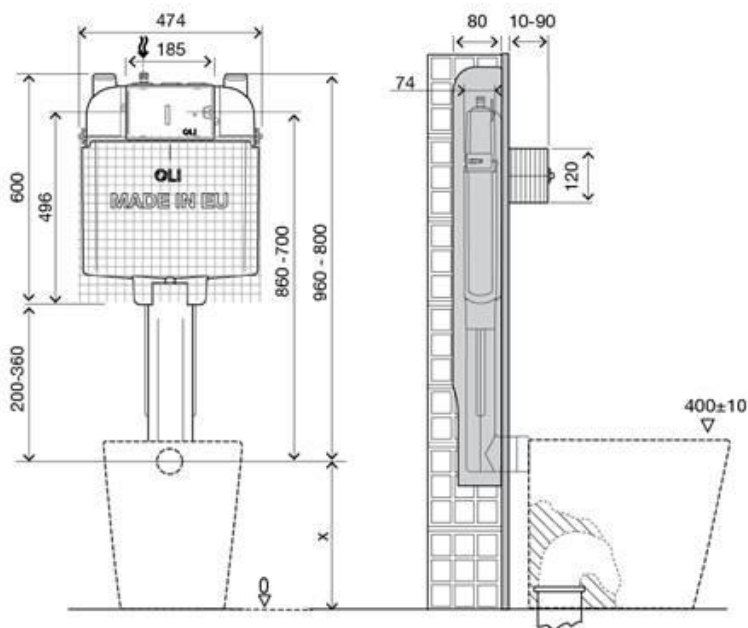


Technical Sheet

OLI74 Plus



Product Identification

601603

- OLI74 PLUS Mechanic 4/2L

Definition and Application

- Flush cistern to be installed inside the wall and used in combination with floor standing sanitary applications
- Compatible with all floor mounted WC pans

Technical Features

- Dual flush in-wall cistern compatible with either dual or single flush actuators 4/2 litres
- Mechanic actuation
- 80mm thickness
- Working pressure from 0,1 to 16 bar
- Resistance to atmospheric humidity (Hr <90%).
- Polypropylene (PP) cistern highly resistant and inalterable to thermal stress
- Other versions compliant with WRAS/NF/SAI-WATERMARK/UPC/KIWA standards
- EN 14055 marking CL1
- Equipped with Azor Plus Inlet Valves, with delayed refilling (saves up to 9 litres of water per day) and silent according to the NF standard category Class I
- Supplied with anti-condensation lining
- "A" class for the Water Efficiency in compliance with the ANQIP Authority requirements

Millimetres measures

Accessories

- 1 Discharge pipe \varnothing 56 x 360
- 1 Seal for discharge pipe \varnothing 40/45
- 1 Protective box
- 1 G ½" stop valve
- 1 Protection sponge for the stop valve
- 2 Metal plates for fixation
- 1 Discharge pipe protection cover in EPS
-

Fixing accessories for metal plates

- 2 Screws ZN M5x16
- 2 Washers ZN M5
- 2 Nuts M5

Warranty

Ten (10) years warranty according to the general selling terms, starting from the purchase date of the product.

If the product is not correctly installed the warranty is not valid

Observations

There are available similar products. For more information please consult our Sanitary Installation Systems catalogue or our site www.oli-world.com